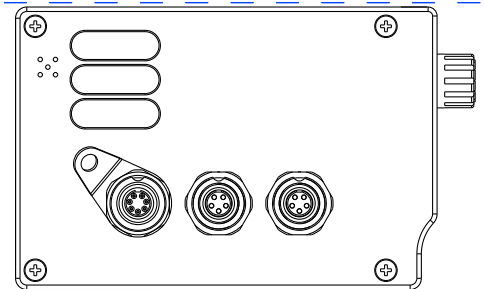
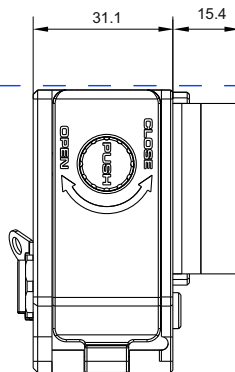
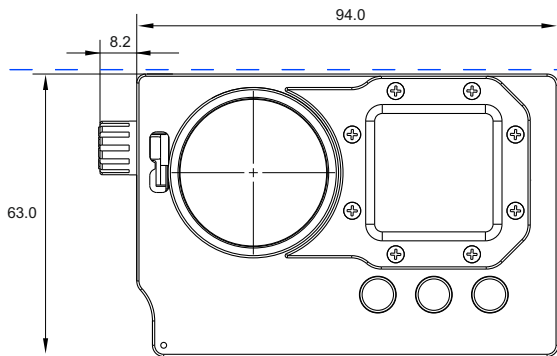
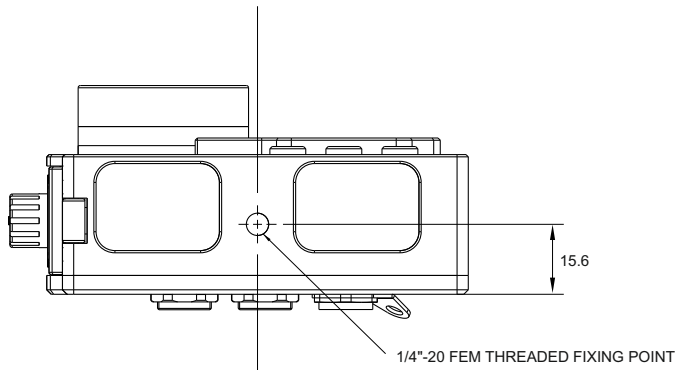




SmartyCam 3 Corsa

On-board camera





SmartyCam 3 Corsa

On-board camera

Technical characteristics

Video format	H.264 1920 x1080 pixels @ 60 fps
Display resolution	128 x 128 pixels
Lens	Low distortion camera lens
CMOS sensor	Global Shutter
Field of view	67° or 84°
Internal battery	Rechargeable lithium battery
External power	9-15 Volt
Supported SD card	Up to 2 TB
Accelerometer	Three-axial ± 16G
Connectors	3 Binder 712 female 1 USB-C
Usage temperatures	-10°C/+50°C
Auto Power ON	Yes
Auto Power OFF	Yes
Auto Start/Stop Recording	Yes
Dimensions	102.2 x 63 x 46.5 mm
Weight	280 g, battery included
Waterproof	IP65

Part number

XS3Cxxxx	SmartyCam 3 Corsa
-----------------	-------------------



SmartyCam 3 Corsa

On-board camera

Pinout

